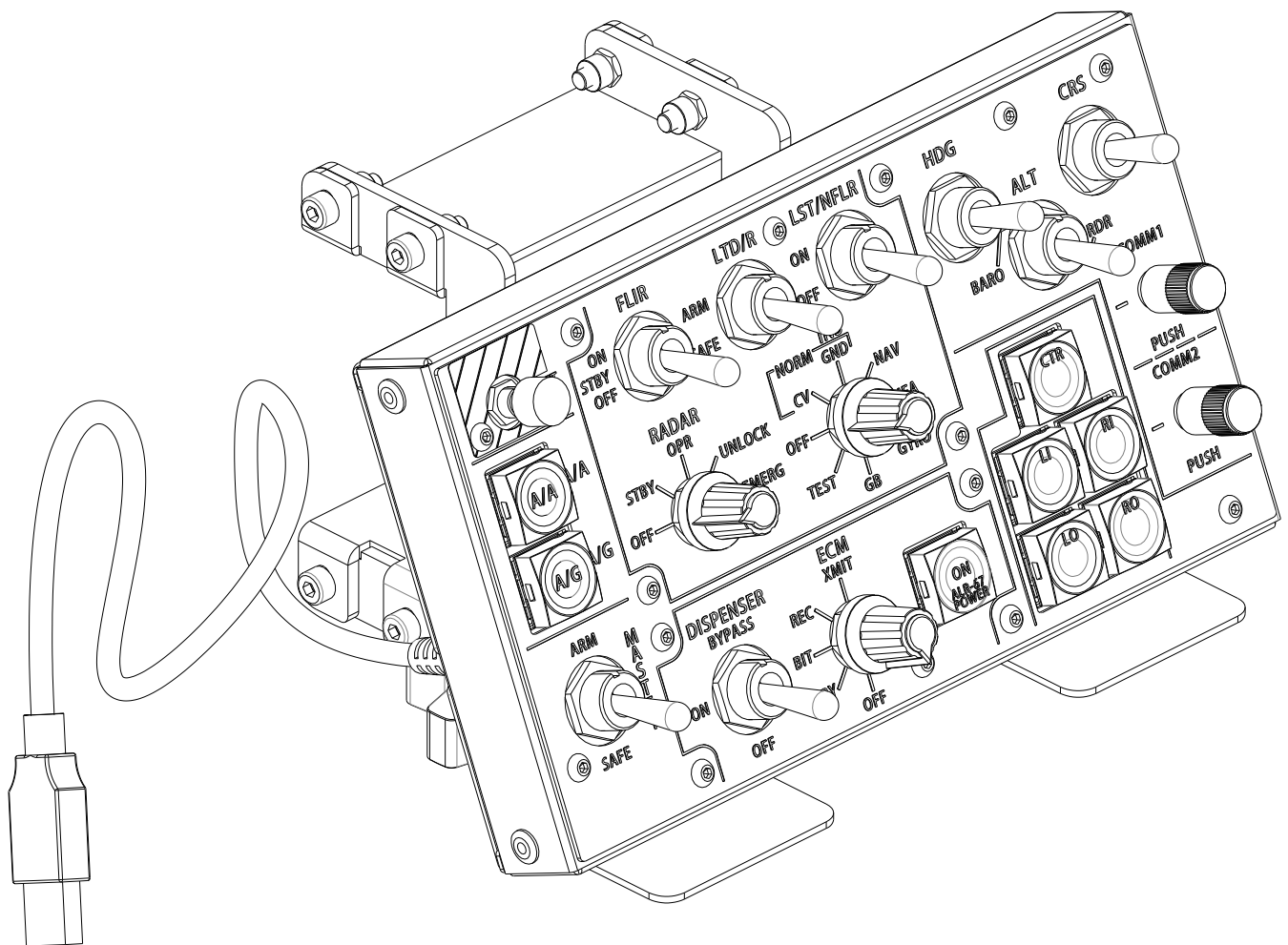


PCR

User manual V1.0 2020.10



Contents :

1	Contents inside the box	1
2	Functions	2
2.1	Display Function	2
2.2	Bottom Function	2
3	Dimensions.....	3
4	Mounting method.....	3
4.1	Desktop	3
4.2	Clipper	4
4.3	Independent Mounting.....	4
4.4	Mounting.....	4
5	Installation.....	5
5.1	Desktop mounting	5
5.2	Desktop clipper mount.....	6
5.3	Panel assembly instruction.....	8
5.4	Attach the panel to mount.....	10

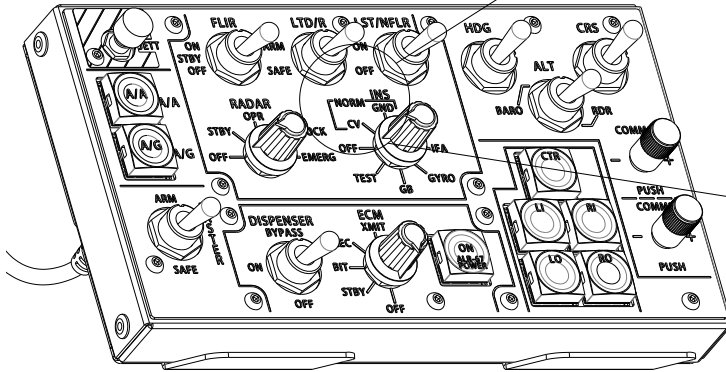
1 Contents inside the box

① PCR panel with 6 feet wire	1
② Mount	1
(4 types of desk mount in parts)	
Mount is not yet assemble, refer to part 5 for assembly instruction	
③ Screw bag 1	1
(M4*14 screw X 8, M4 plate X8 Flat M4*9*1 X 8, Normal Nut M4 X 8)	
④ Screw bag 2	1
(M5*10 X2, M5*16 X4, M5 plate X 4 Flat M5*10*1 X6, Normal Nut M5 X 4)	
⑤ Tool bag	1
(4mm allen wrench X1, 3mm Allen Wrench X 1, 7mm Wrench X1, 8mm Wrench X 1,17mm Wrench X 1)	
⑥ Big Screw X1	1
⑦ Glue tape	1
⑧ Instruction manual	1

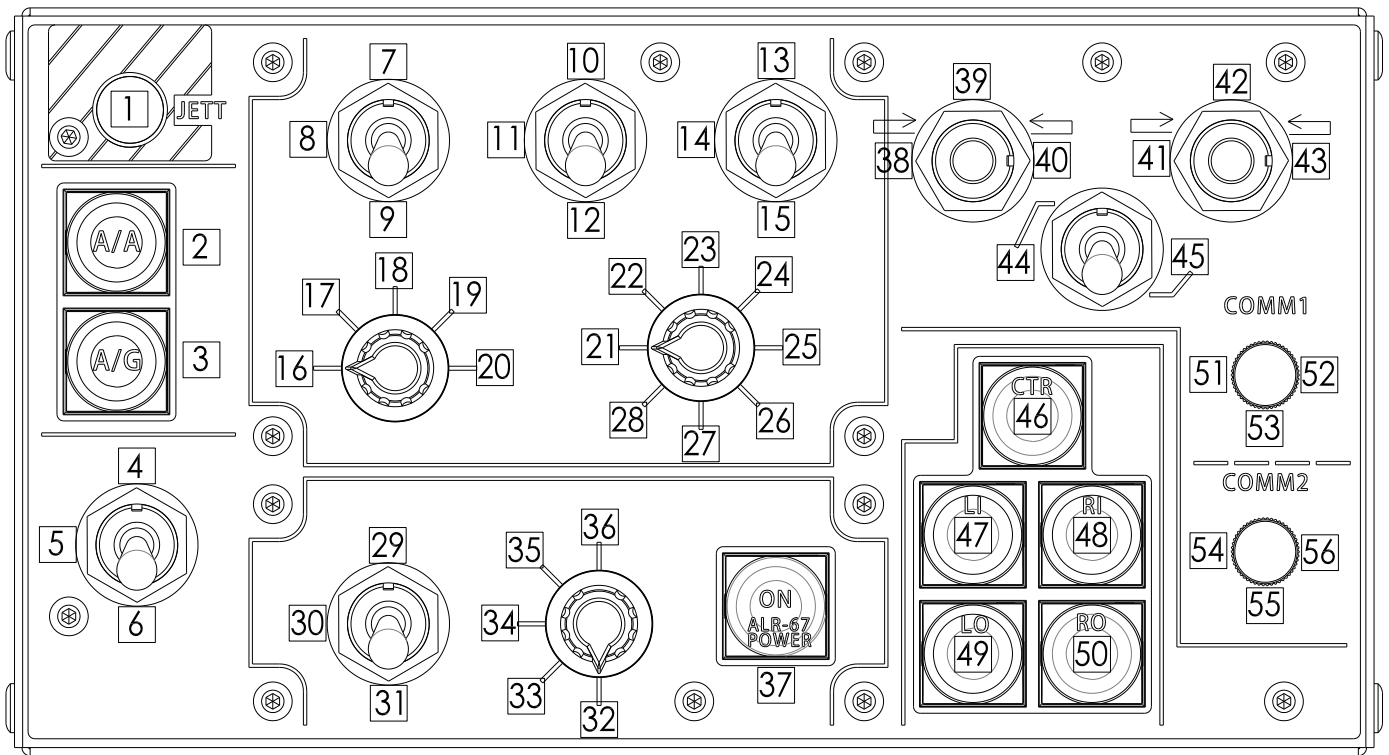
2 Functions

2.1 Display Function

1. Panel has a backlight function for all bottom,
2. The brightness can be adjusted.

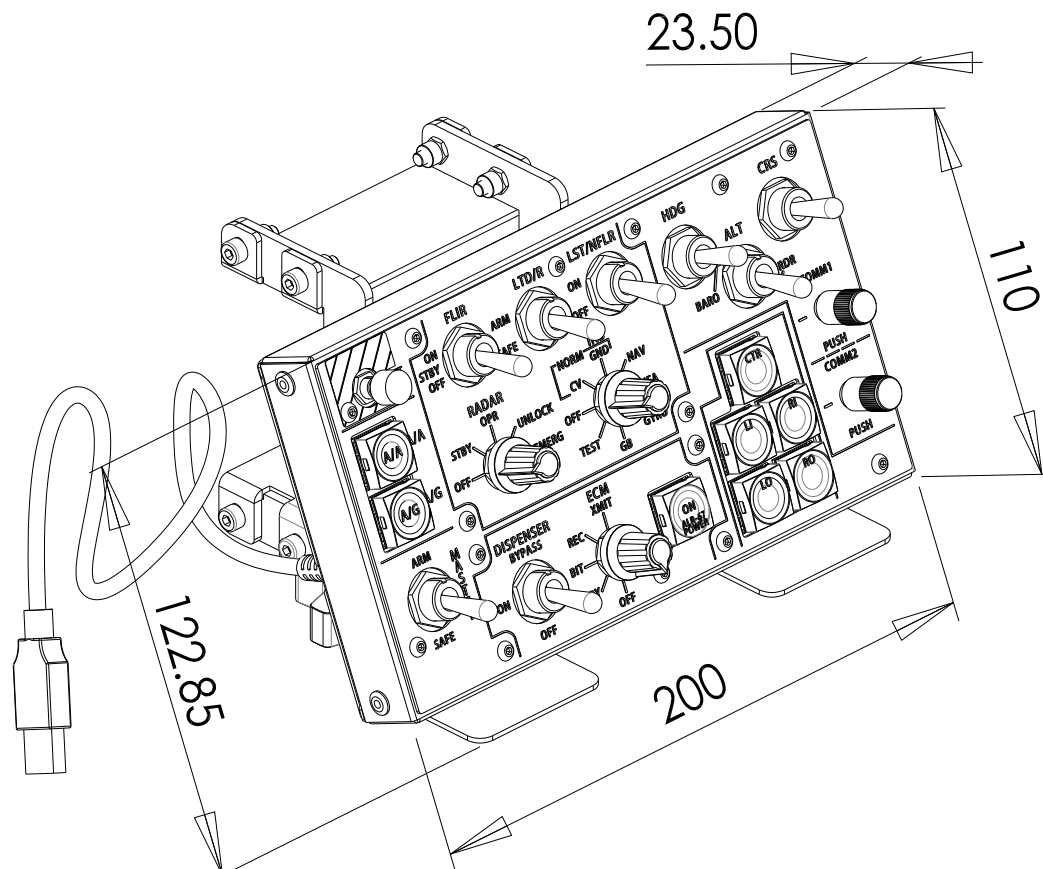


2.2 Bottom Function



1. All switch on the panel can be used for binding.

3 Dimensions



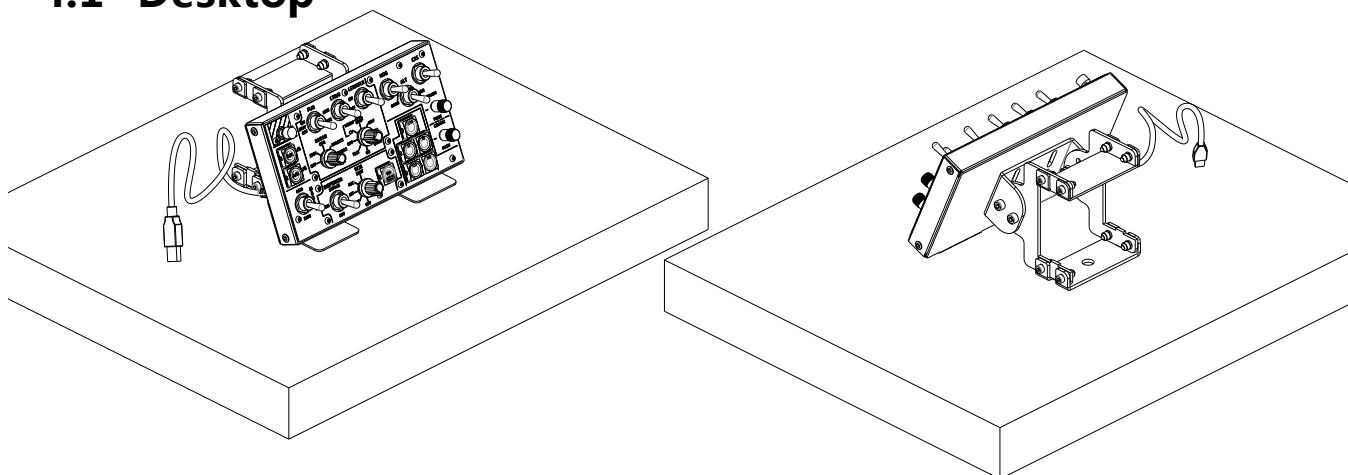
Product dimension

200mm*110mm*23.5mm ;

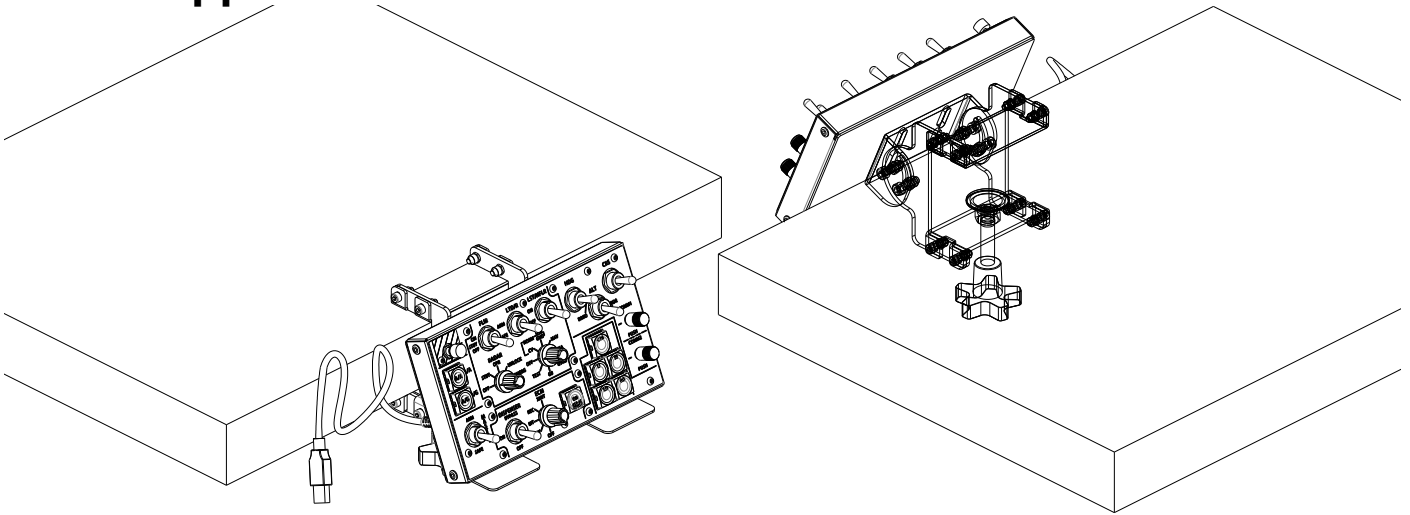
Weight about 2.8Lb

4 Mounting method

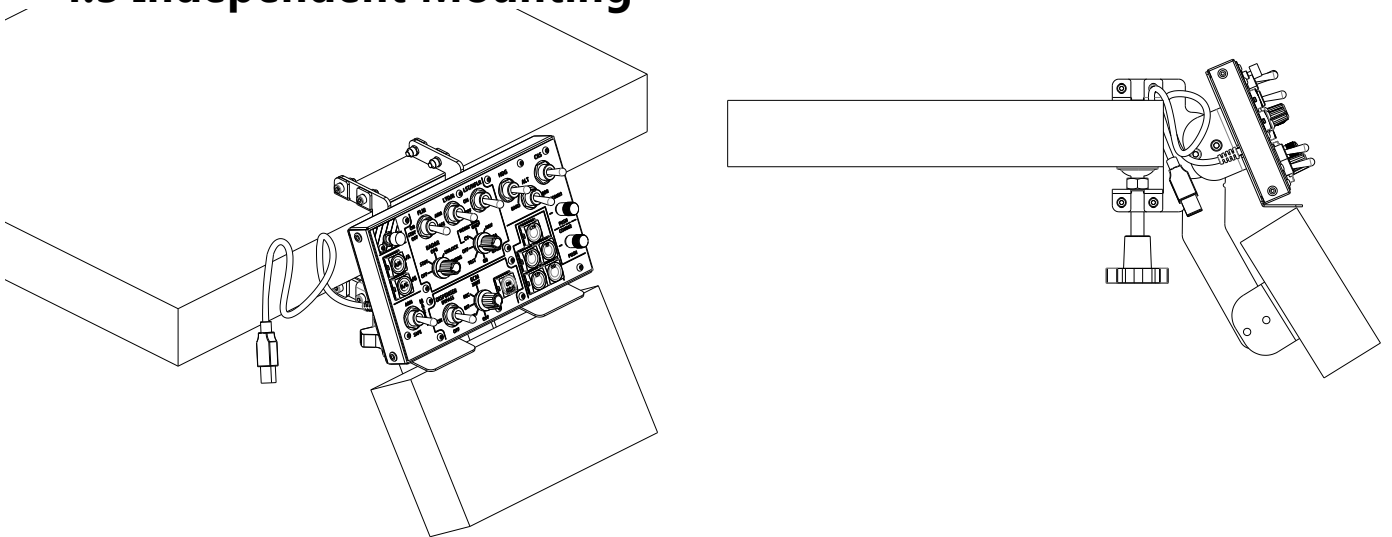
4.1 Desktop



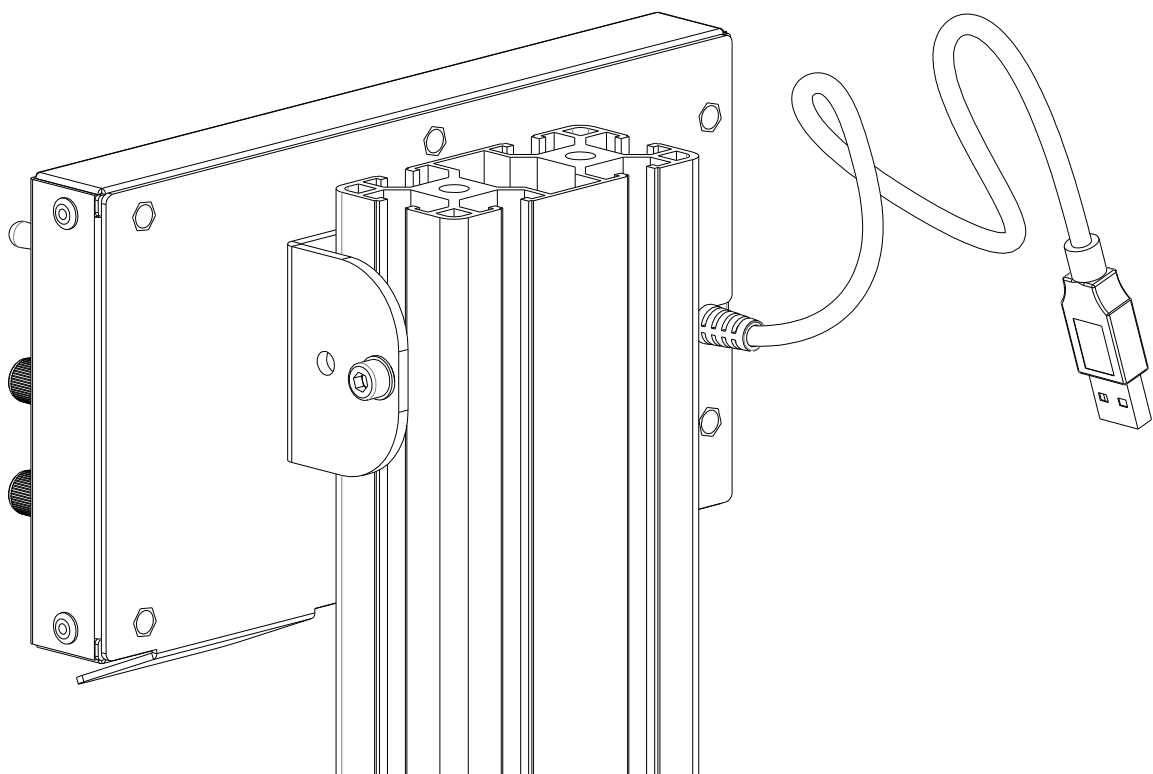
4.2 Clipper



4.3 Independent Mounting



4.4 Mounting



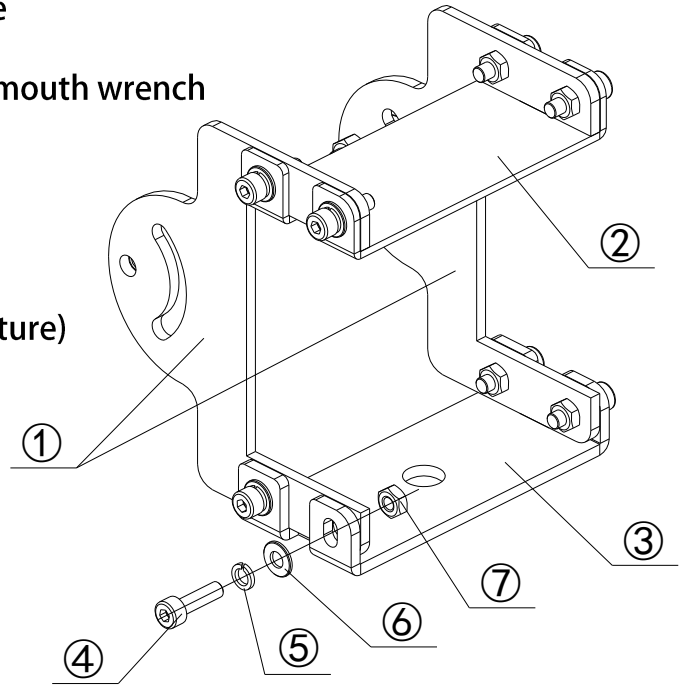
5 Installation

5.1 Desktop mounting

1. Assemble the mount like shown in the picture

by using 3mm Allen wrench and 7mm open- mouth wrench

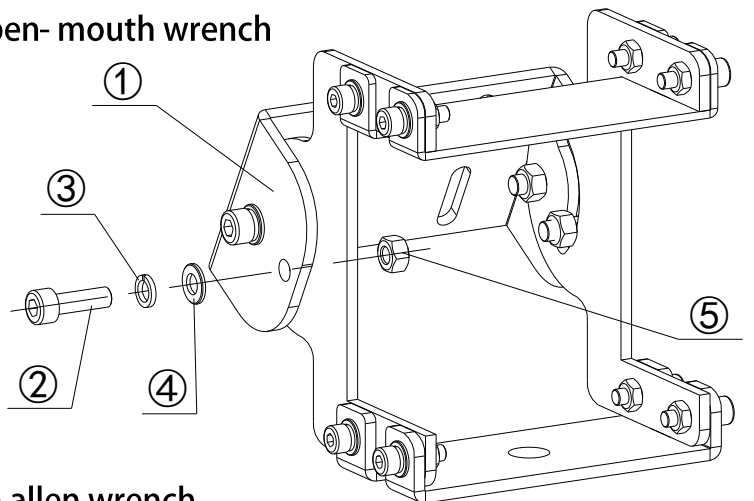
- ① Mount #2 X 2
- ② Mount #3 X 1
- ③ Mount #4 X 1 (Assemble like shown in picture)
- ④ Screw M4*14 X 8
- ⑤ M4 Plate X 8
- ⑥ Flat M4*9*1 X 8
- ⑦ Normal Nut M4 X 8



2. Assemble the amount like shown in the picture

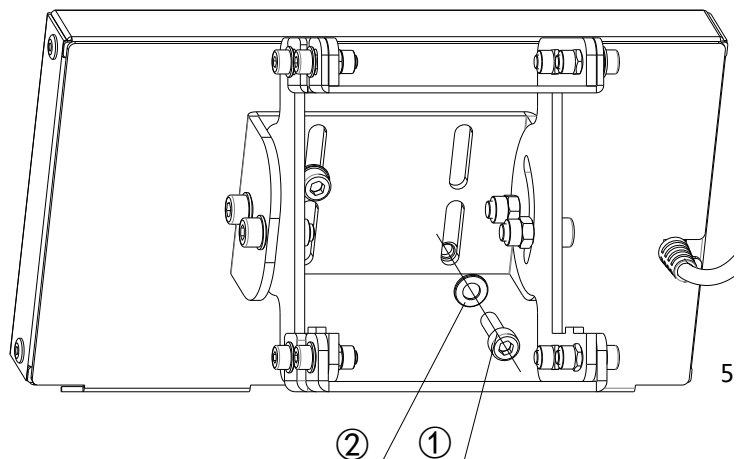
by using 4mm Allen wrench and 8mm open- mouth wrench

- ① Mount # 1 X 1
- ② Screw M5*16 X 4
- ③ M5 Plate X4
- ④ Flat M5*10*1 X 4
- ⑤ Normal Nut M5 X 4



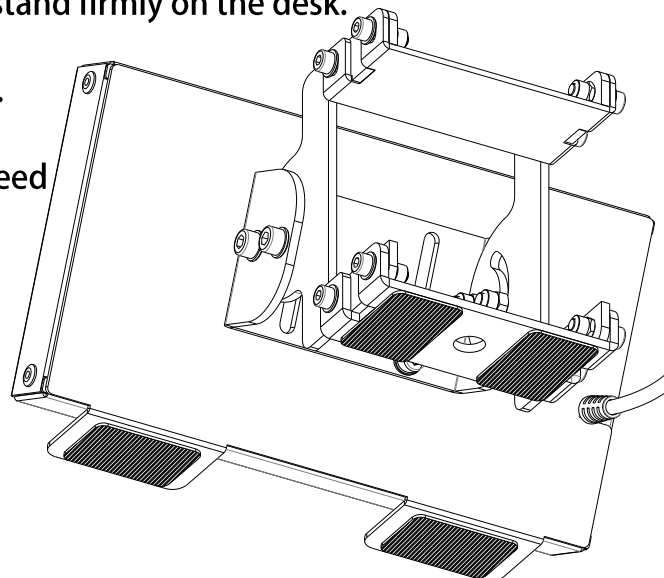
3. Attach the panel to the mount with 4mm allen wrench

- ① Screw M5*10 X 2
- ② Flat M5*10*1 X 8



4. Attach the double side tape in the shade area, stand firmly on the desk.

- ① Clean the table surface for better adhesive.
- ② Double tape can be cut to the shape you need
- ③ For reuse the tape, wash with clean water, dry it up and re attach.

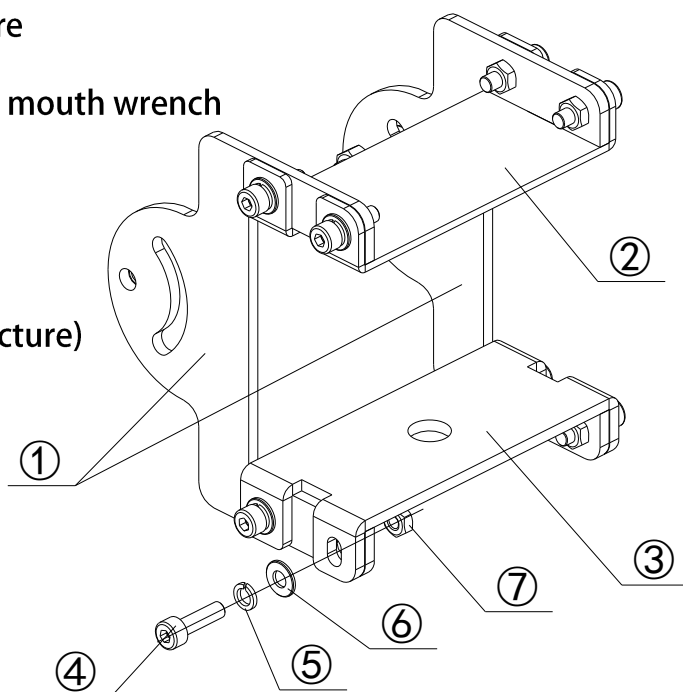


5.2 Desktop clipper mount

1. Assemble the mount like shown in the picture

by using 3mm Allen wrench and 7mm open- mouth wrench

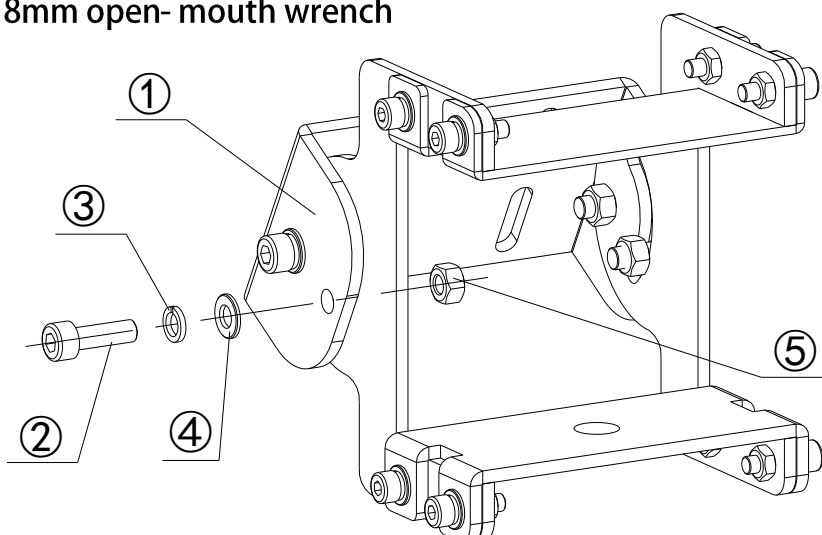
- ① Mount #2 X 2
- ② Mount #3 X 1
- ③ Mount #4 X 1 (Assemble like shown in picture)
- ④ Screw M4*14 X 8
- ⑤ M4 Plate X 8
- ⑥ Flat M4*9*1 X 8
- ⑦ Normal Nut M4 X 8



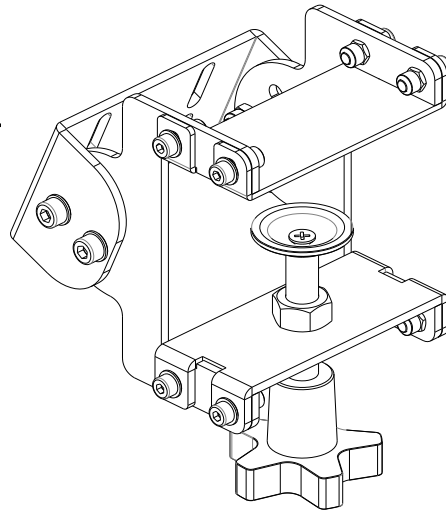
2. Assemble the amount like shown in the picture

by using 4mm Allen wrench and 8mm open- mouth wrench

- ① Mount # 1 X 1
- ② Screw M5*16 X 4
- ③ M5 Plate X 4
- ④ Flat M5*10*1 X 4
- ⑤ Normal Nut M5 X 4

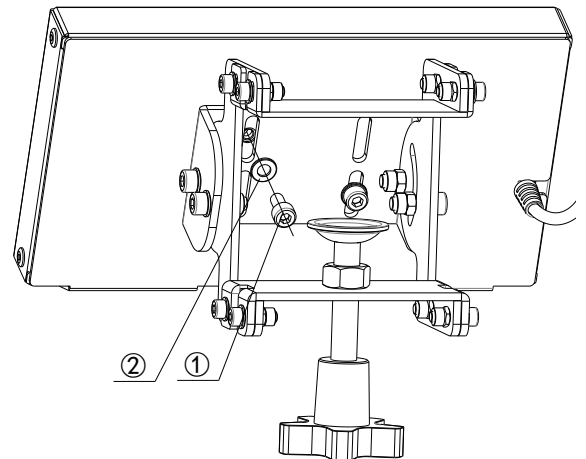


3. Install the twisting screw like the picture shown above with 4mm phillip screwdriver



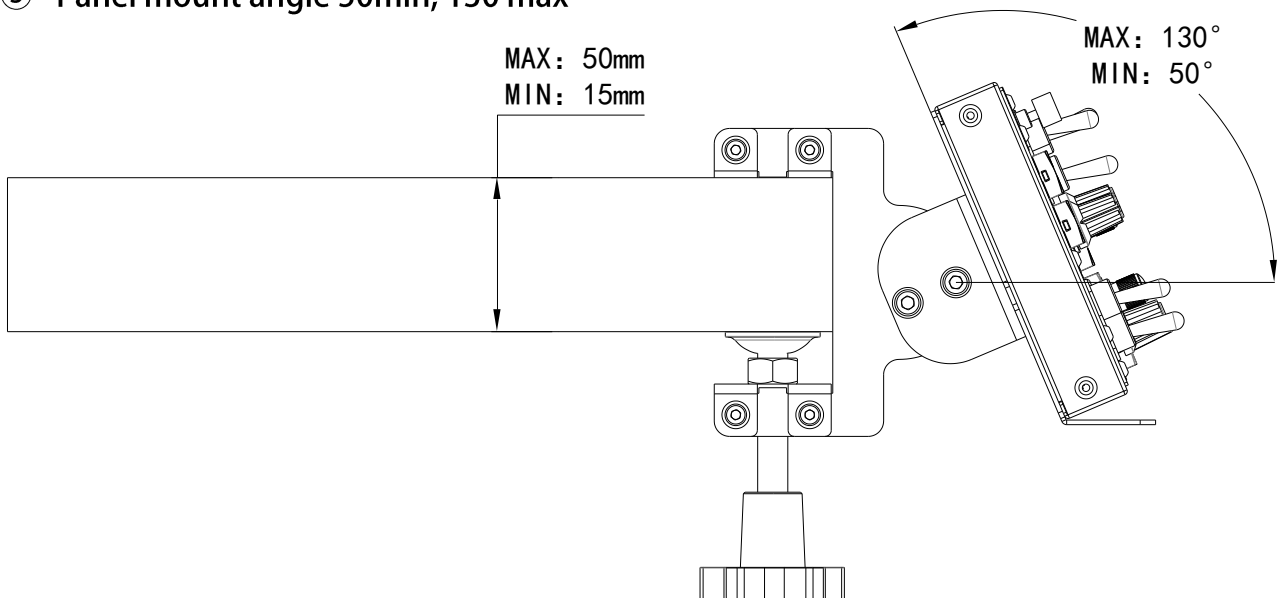
4. Assemble the mount as shown in picture above by using 4mm Hex wrench with

- ① Hex M5*10 X 2
- ② Flat M5*10*1 X 2



5. Place the whole set with clipper to the edge of the desk

- ① Twist the screw to the position that equipment will stand firm, do not over-tighten it or it may cause damage to the mount.
- ② Minimum width of the clipper 15mm, Max 50mm
- ③ Panel mount angle 50min, 130 max

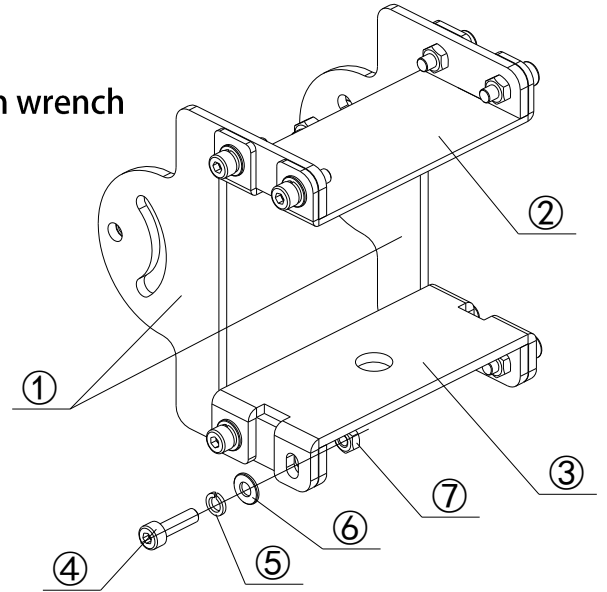


5.3 Panel assembly instruction

1. Assemble the mount like shown in the picture

by using 3mm Allen wrench and 7mm open- mouth wrench

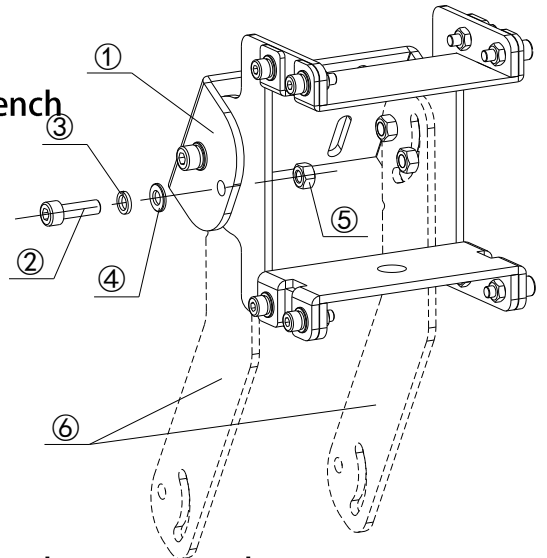
- ① Mount #2 X 2
- ② Mount #3 X 1
- ③ Mount #4 X 1 (Assemble like shown in picture)
- ④ Screw M4*14 X 8
- ⑤ M4 Plate X 8
- ⑥ Flat M4*9*1 X 8
- ⑦ Normal Nut M4 X 8



2. Assemble the amount like shown in the picture

by using 4mm Allen wrench and 8mm open-mouth wrench

- ① Mount # 1 X 1
- ② Screw M5*16 X 4
- ③ M5 Plate X4
- ④ Flat M5*10*1 X 4
- ⑤ Normal Nut M5 X 4
- ⑥ Connection panel # 1 X 1



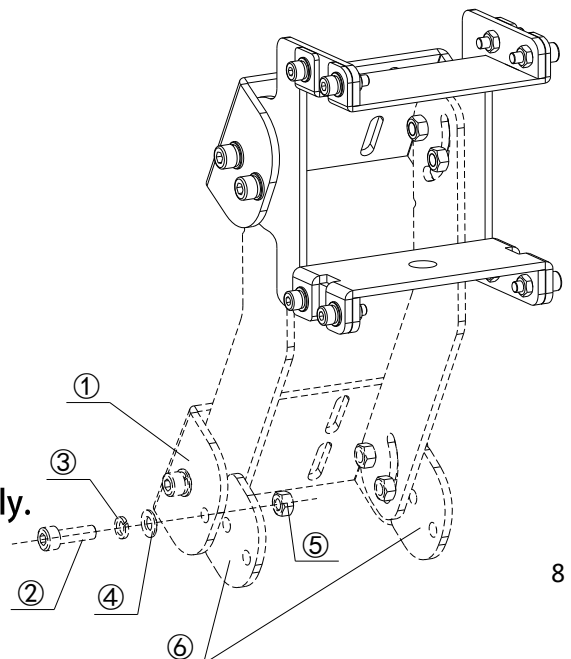
Connection panel # 1 is an optional part required purchase separately.

3. Assemble the set like the picture shown above

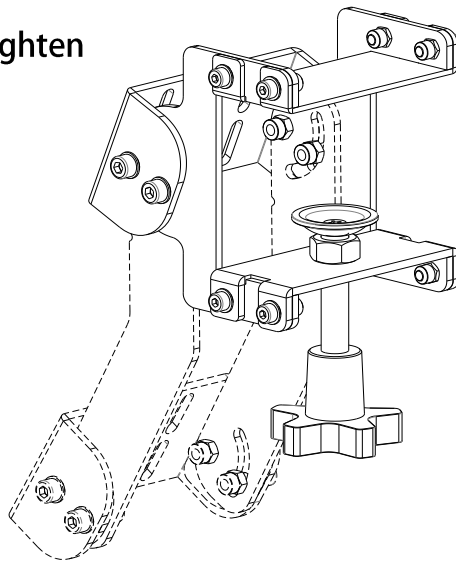
by using 4mm Philip and open-mouth wrench

- ① Mount 1-1 (not included)
- ② Screw M5*16 X4 (not included)
- ③ M5 Plate X4 (not included)
- ④ Flat M5*10*1 X4 (Not included)
- ⑤ Normal Nut M5 X 4 (Not included)
- ⑥ Connection panel 2 X 2

Connection panel 2 is required purchase separately.

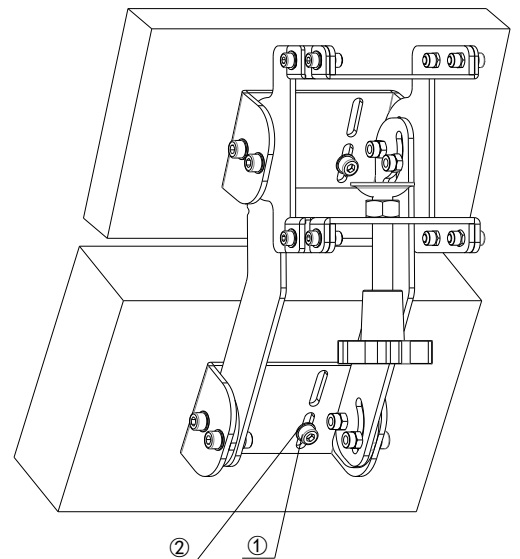


4. Using Hex 4mm wrench to tighten twist screw as picture above



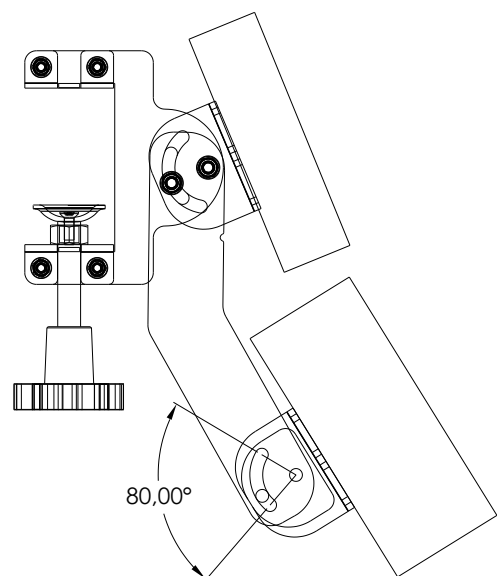
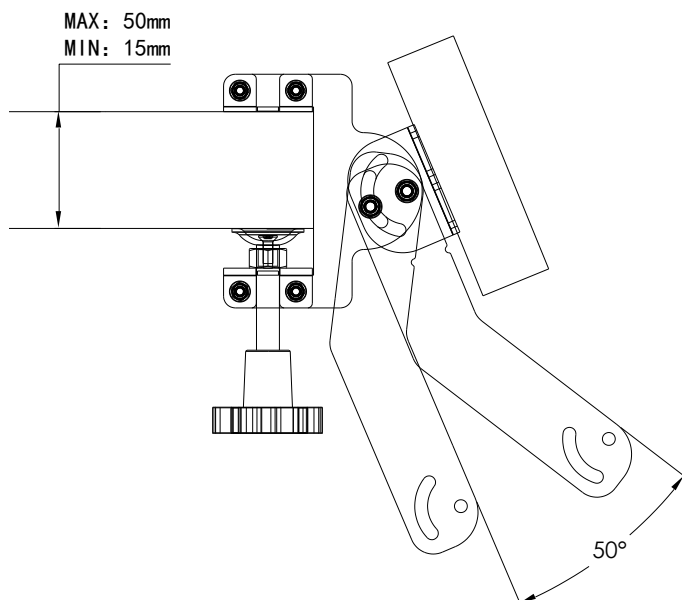
5. Assemble the mount as pictured above.

- ① Screw M5*10 X2 (not included)
- ② Flat M5*10*1 (Not included)



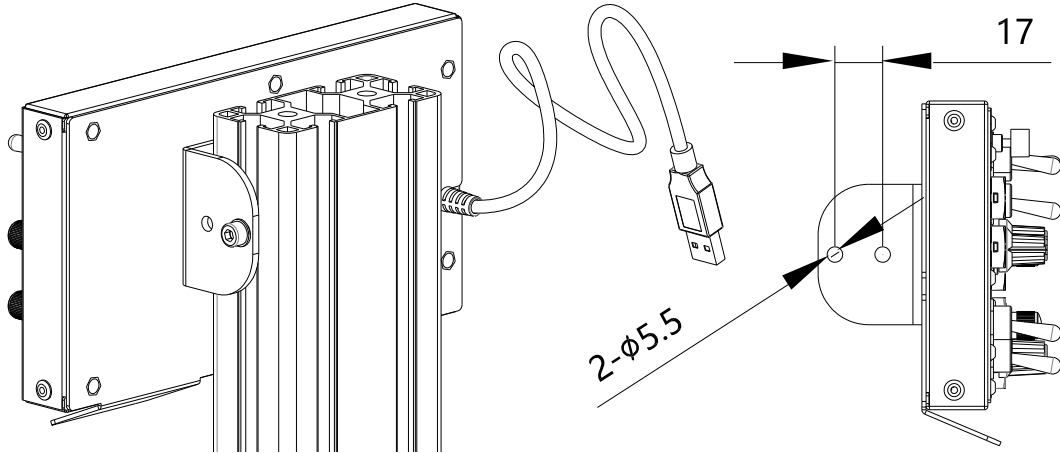
6. Place the whole set with clipper to the edge of the desk

- ① Twist the screw to the position that equipment will stand firm, do not over-tighten it or it may cause damage to the mount.
- ② Minimum width of the clipper 15mm, Max 50mm
- ③ Connection panel 1 adjustable angle is 50
- ④ Adjustable Angle between two connection panel is 80

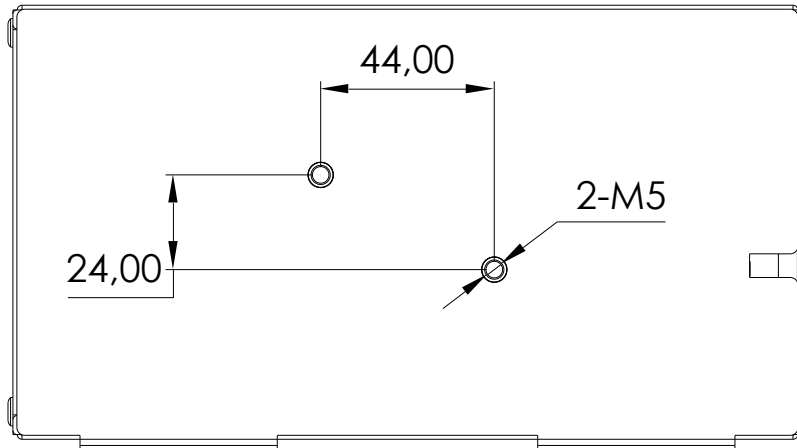


5.4 Attach the panel to mount

1. We have ready a 80MM set for you to attach to a mount.



2. The hole was punched as shown above.



* This is the final version. all other updates will be online.

成都翼胜科技有限责任公司

WWW.WINWING.CN

INFO@WINWING.CN

成都市郫都区现代工业港长生桥路 1111 号 19 栋